

**GREEN  
FOREST**<sup>®</sup>  
FURNITURE & FIT OUT



# SIT STAND KDI

**For a Great Office Experience.**

# FIND THE IDEAL WORKING POSTURE WHILE SITTING OR STANDING



**Movement is critical for us to keep our bodies healthy and prevent illness.**

We were not made to sit in one position all day. Many of us sit nearly motionless for upwards of 15 hours a day (car, work, home, etc). Sit, stand, lean, stretch-be your healthy active self at work. Use a sitstanddesk to alternate between sitting and standing everyday



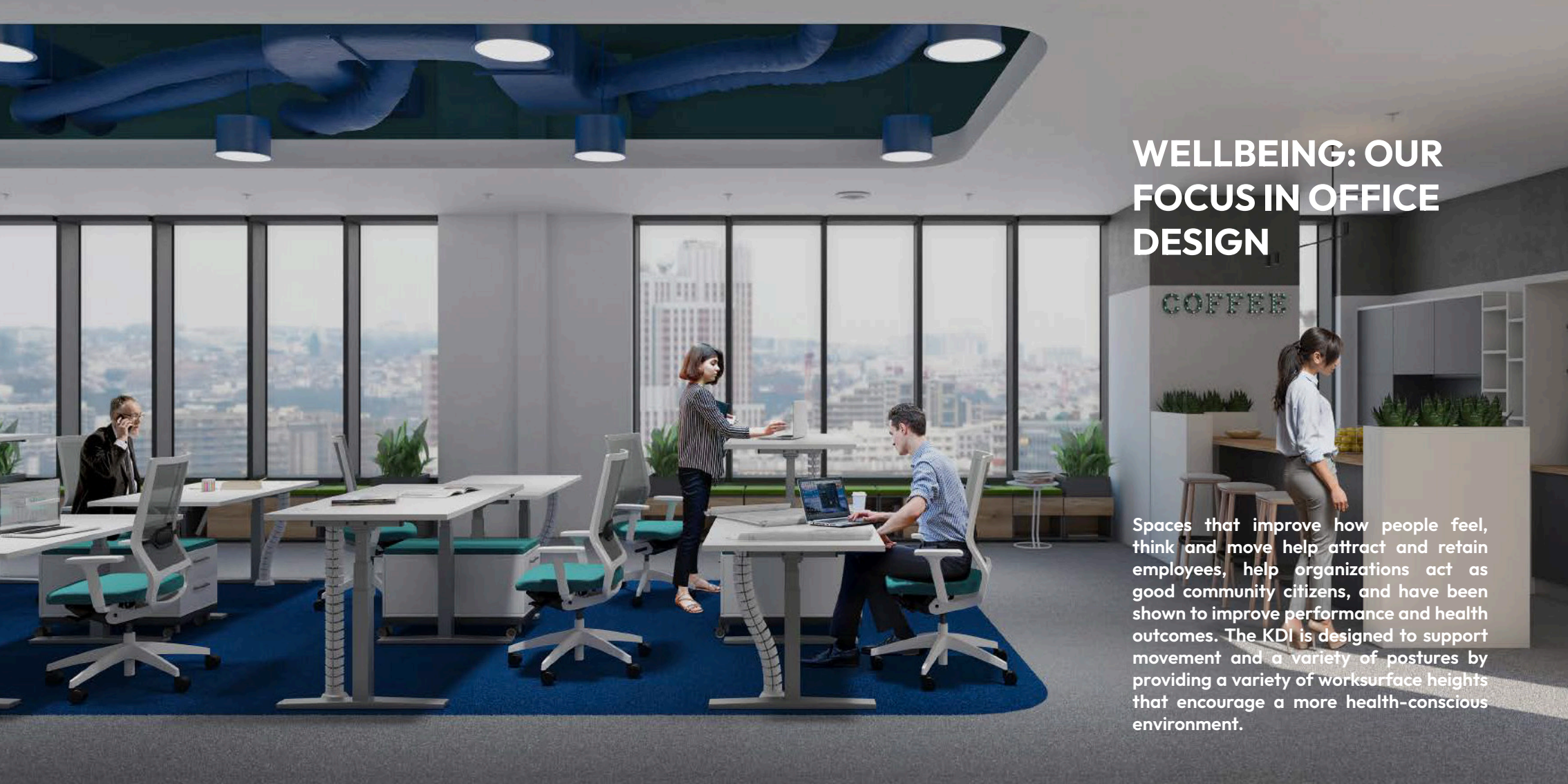




## TEAMWORK? SURE...

Either you work at your personal desk or gather with your colleagues, our KDI products are your best companion.



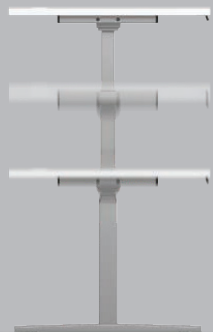


## WELLBEING: OUR FOCUS IN OFFICE DESIGN

Spaces that improve how people feel, think and move help attract and retain employees, help organizations act as good community citizens, and have been shown to improve performance and health outcomes. The KDI is designed to support movement and a variety of postures by providing a variety of worksurface heights that encourage a more health-conscious environment.

# KEEP ACTIVE AT WORK OR YOUR HOME OFFICE

with our KDI range of standing desks, that help you to change working positions often. You can raise and lower your desk by the simple touch of a button. Anti-collision system that will stop the desk from moving and slightly reverse its course when it makes contact with something.



**Height**  
650 to 129cm



**Columns speed**  
36mm/second  
**Motor noise**  
37 dB



## KDI individual desks

- melamine chipboard desk top 25-28 mm thick with ABS edge
- adjustable metal structure with 2 electric motors on height between 65 and 129 cm, colors gray RAL 9006 or white
- the maximum load supported by the structure is 98 kg
- cable organization channel and 2 round passage caps included melamine
- chipboard colors: white, solid gray, blue, birch, beech, pacific walnut



## KDIAT U Twin sharedesks

- 2 melamine chipboard desk tops 25-28 mm thick with ABS edge
- 2 electrically adjustable metal structures on height between 65 and 129 cm, colors RAL 9006 gray or white
- the maximum load borne by each structure is 98 kg
- 1 upholstered partition wall
- cable organization system with round passage caps included
- melamine chipboard colors: white, solid gray, blue, birch, beech, pacific walnut



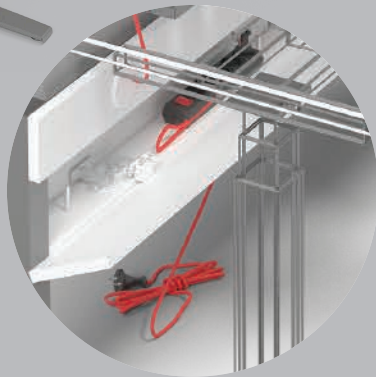
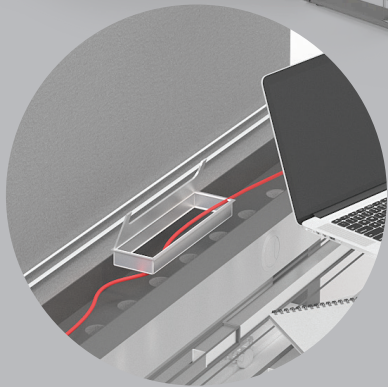
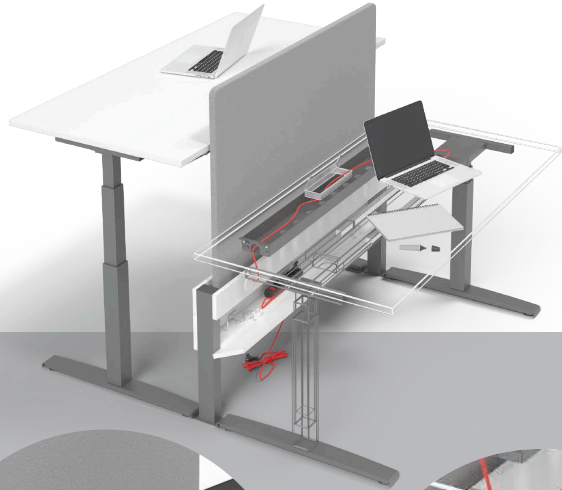
## KDIX Mix individual/sharedesks

- 2 melamine chipboard desk tops 25-28 mm thick with ABS edge
- 2 electrically adjustable metal structures on height between 65 and 129 cm, colors RAL 9006 gray or white
- the maximum load borne by each structure is 98 kg
- 1 upholstered partition wall
- cable organization system with round passage caps included
- melamine chipboard colors: white, solid gray, blue, birch, beech, pacific walnut

# CABLE MANAGEMENT

## Cable infrastructure diagram

Our products give you the solutions to keep your workspace in order - the details that count!



From floor box to > cable organizer/cable collector > cable tray > cable hole cover > laptop



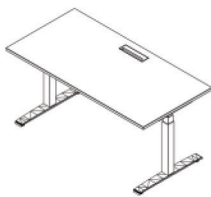
& more.



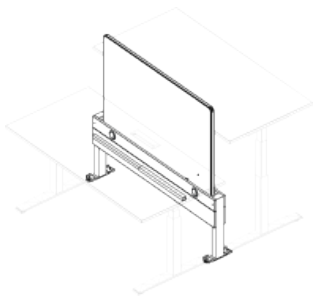


# FEATURES

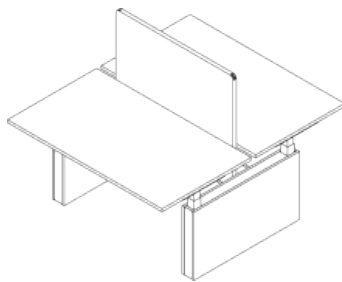
## Models and sizes



**Individual**  
**KD140** 139x80x65-129H  
**KD160** 160x80x65-129H  
**KD200** 200x100x65-129H



**Connection part**  
**KDC140** 139x10x115H  
**KDC160** 160x10x115H



**Sharedesk**  
**KDIAT140** 139x10x115H  
**KDIAT160** 160x10x115H

## Desk top colors (25 mm melamine thickness)



**White**  
W1000 st9



**Grey**  
U708 st9



**Denim**  
U540 st9



**Birch**  
H1733 st9



**Walnut**  
H3700 st10



**Beech**  
H1511 st15

## Frame colors



**White**  
ral 9010



**Grey**  
ral 9006

## Cable hole covers and power sockets



**Standard**  
6cm diam.



**TC2**  
8x8cm



**TC3**  
16x8cm



**TC4**  
28x8cm



**TC9**  
coni  
25x14cm



**TC11**  
power frame  
29x9cm



**Power Frame**  
sn.: 916.0601



**Coni**  
sn.: 912.003

## ADD-ONS



**Integrated wireless charger**  
not visible on top



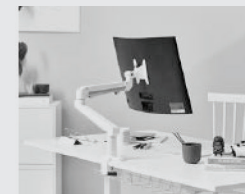
**PC Holder**  
for the new generation computers



**Foot rest Fellowes**  
sn.: 8035001



**Storage**  
suitable for small objects



**Monitor arm**  
safe and functional

## Cable management solutions



**CM1**  
cable collector



**CM2**  
cable tray



**CM3**  
cable tray



**CM3**  
cable organizer

## Control units



**Standard control**  
two button controller



**Memory control**  
memory function/display

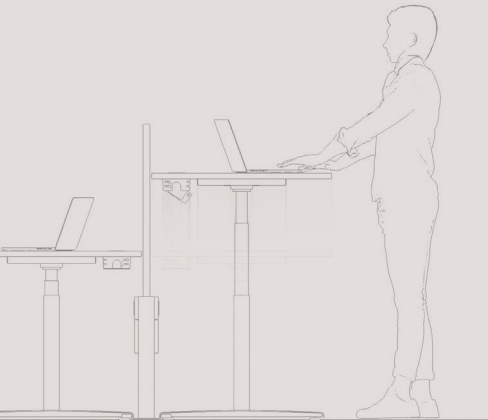


FEEL FREE  
TO CREATE THE PRODUCT  
THAT REFLECTS YOUR NEEDS



# GREEN<sup>®</sup> FOREST

FURNITURE & FIT OUT



Let's Stay  
in Touch

## SHOWROOMS:

Timișoara 300133, România  
Bd. Simion Bărnuțiu nr. 28  
+40 256 490284, +40 256 226621  
office@greenforest.ro

București 011469, România  
Galeria World Trade Center  
Piața Montreal nr. 10  
+40 212 306060, +40 318 054123  
bucuresti@greenforest.ro

Cluj Napoca 400221, România  
Str. René Jeannel nr. 8  
Incinta Novis Plaza  
+40 364 737182  
cluj@greenforest.ro

GREENFOREST.RO